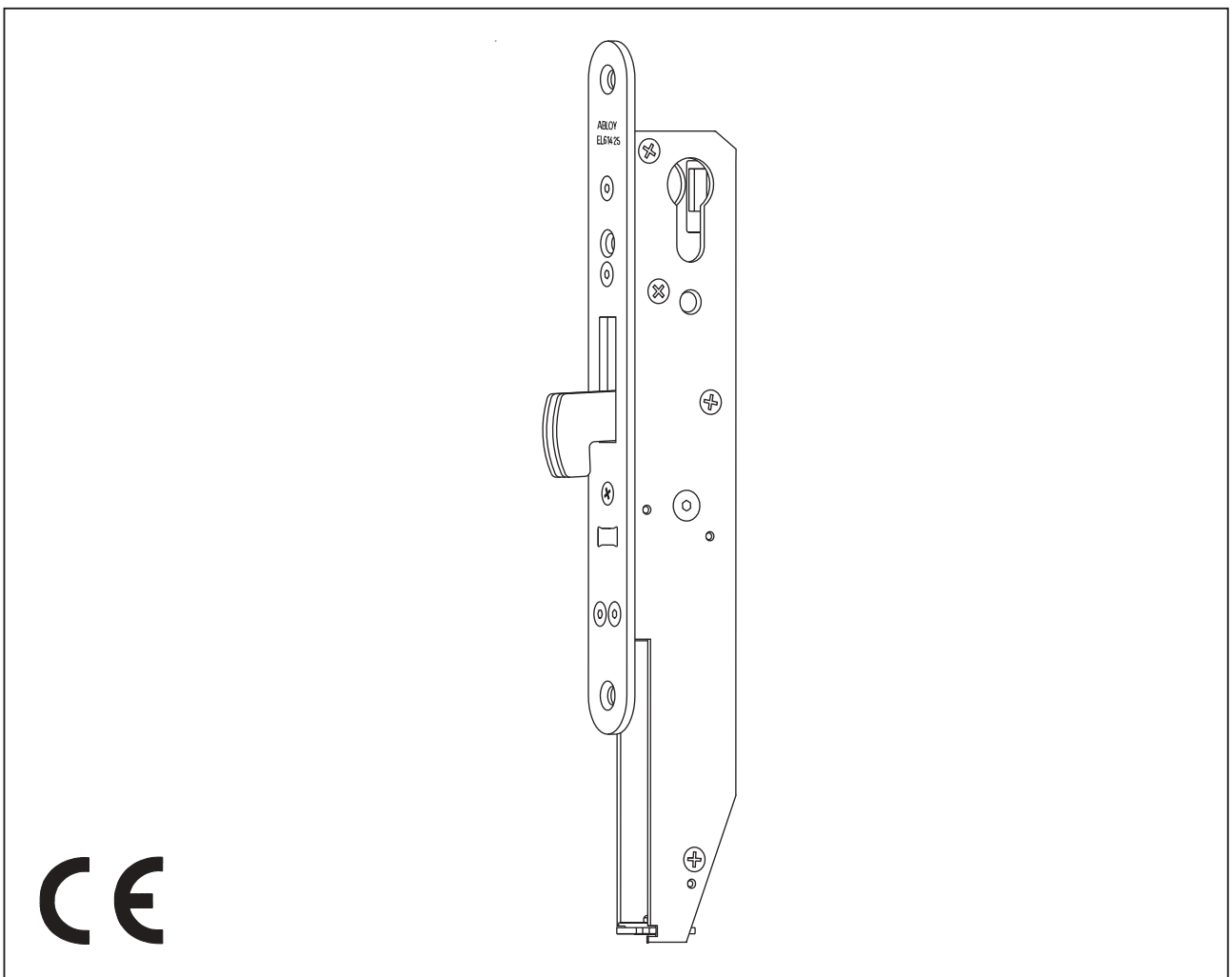
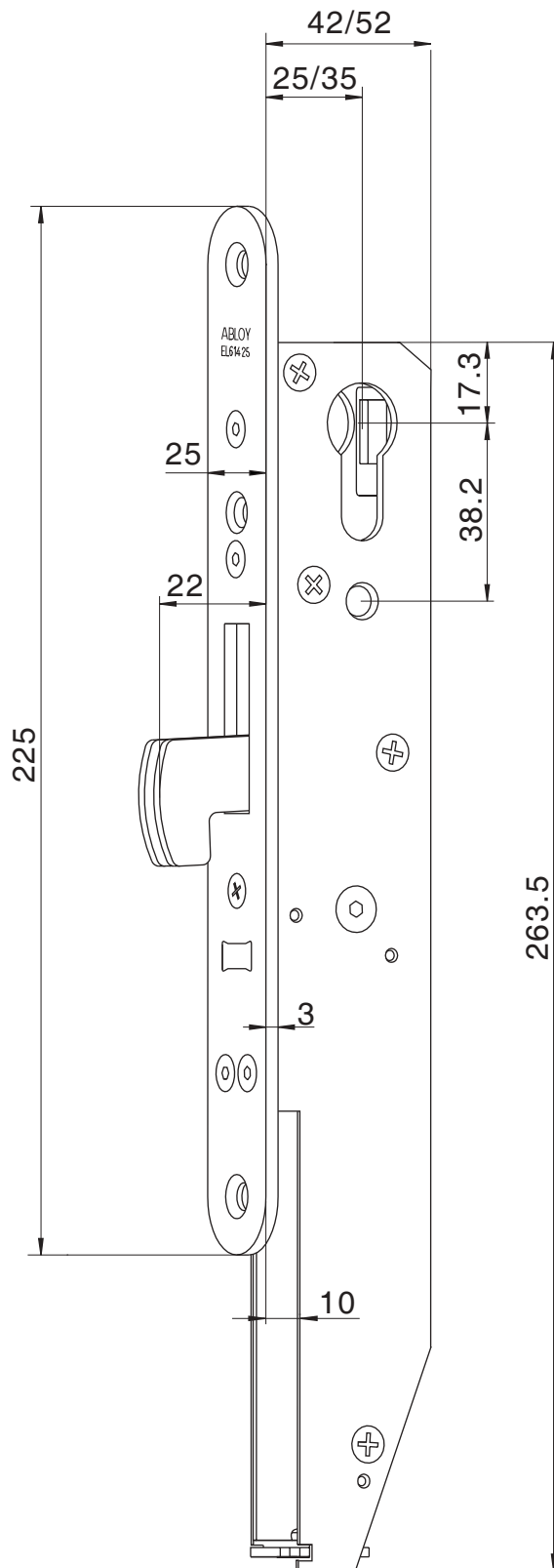


ABLOY® EL614
- Motor lock with bolt



EL614

Contents

TECHNICAL DATA	4
INSTALLATION	5
WIRING DIAGRAM.....	6
DRILLING SCHEME	8
INSTALLATION SCHEME	9 - 10
FOREND	11
STRIKE PLATES	11

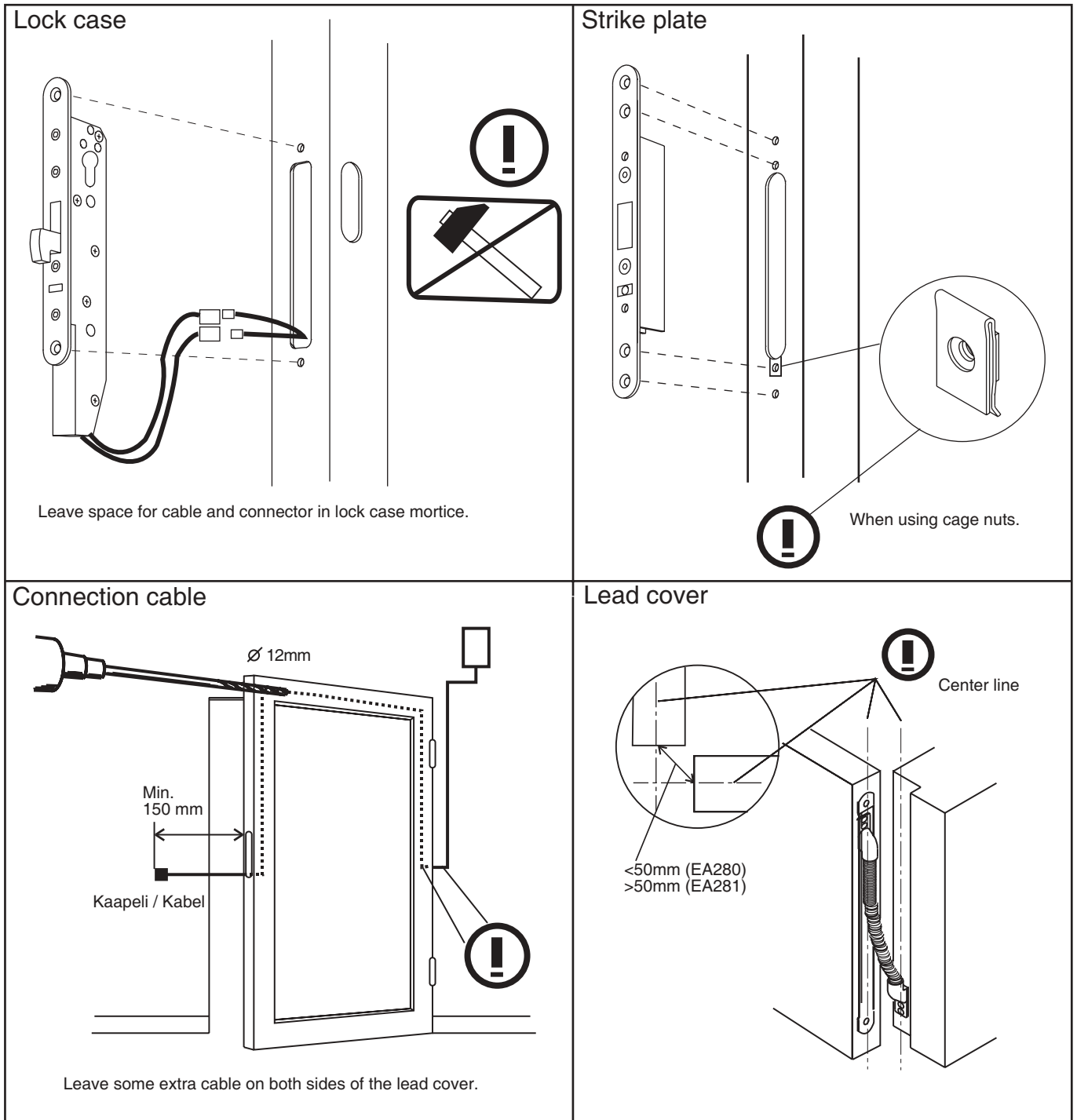
TECHNICAL DATA

Operating voltage:	12 - 24V DC (+/- 15%) 12 - 18 V AC (-10%/+15%, RMS)
Current:	norm. 150 mA Idle 70 mA max. 700 mA
Relay output:	max. 0.8 A, 30V AC / V DC resist. ,max. 20W
Ambient temperature:	-20° - +60 °C
Bolt throw:	22 mm
Backsets:	25 and 35 mm
Forend:	25 mm, 32 mm (wooden door)
Door clearance:	2 - 5 mm (between forend and striker)
Monitoring outputs:	- hook bolt dead locked / not dead locked - hook bolt in / not in - door open / closed - manual use: mechanical opening or burglary
Control unit:	EA460
Connection cable:	EA214 (6 m) / EA224 (10 m) 16 x 0.14 mm ²
Strike plate:	EA300, 803677 + 803711, 804811 + 803711
Optional backup card:	952169

DRILLINGS / INSTALLATION

In order to enable the trouble-free operation the drillings and the installations must be made according to the instructions in this booklet. The door itself and the door closer must be correctly installed and adjusted.

Make sure the hook bolt can move freely, when controlling the lock electrically.





WIRING DIAGRAM

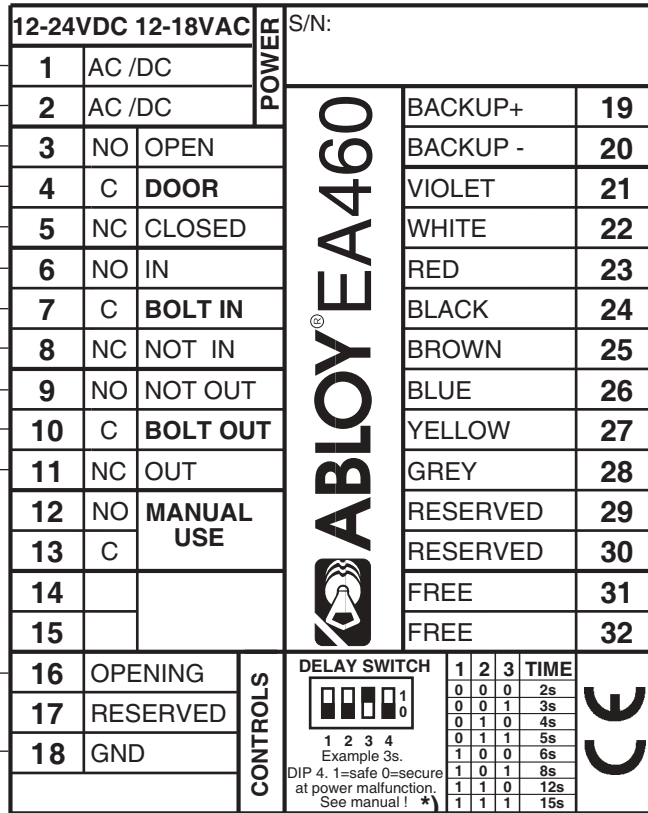
EL614

12 - 24 VDC +/-15%
12 - 18 VAC -10%/+15%, RMS

Monitoring

Manual use by
keycylinder

Potential free control



*) External connection
for Backup card 952169

ABLOY EA214 / EA224
Connection cable

Cable
16 x 0.14 mm²
Length
6m / 10 m

Lock case
EL614

If magnet striker plate EA300 is not in use.
ABLOY EA502 for steel doors

*) When backup card is attached, in the case of power failure, bolt is run into the status which is selected with Dip 4 (bolt in/bolt out). Table 1 represents how lock functions in the case of power failure depending on the position on Dip 4. Even though backup card is attached, in the case of power failure, the lock does not react on controls or supply indications of bolt or door status.

Note!
The functions of Dip 4 are valid only when backup card is attached to the control unit!

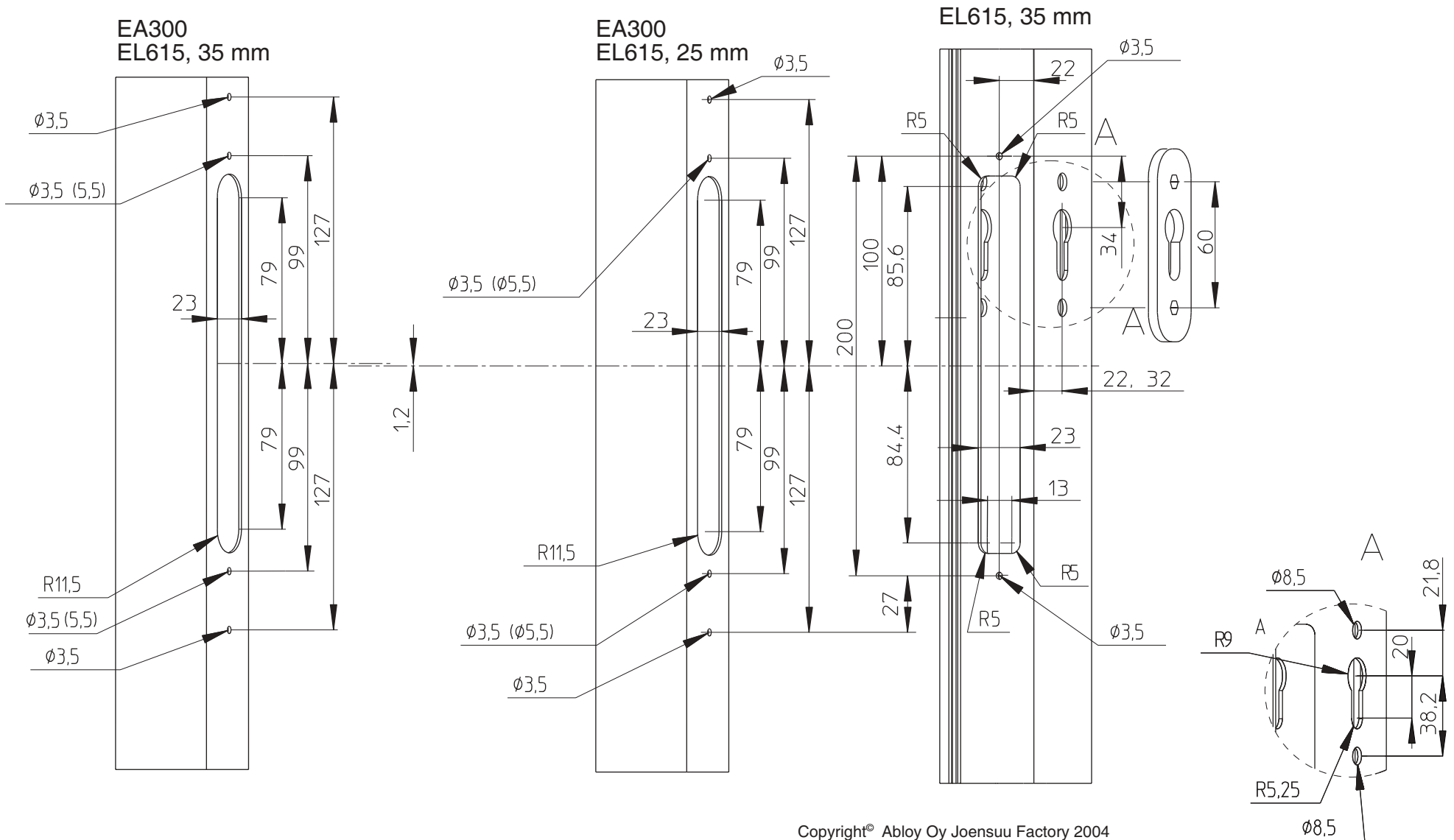
Position of Dip 4	Bolt status	Functions
0	Bolt in	Bolt is run out if door is closed
0	Bolt out	No functions
1	Bolt out	Bolt is withdrawn
1	Bolt in	No functions



08/2004



DRILLING SCHEME EL614

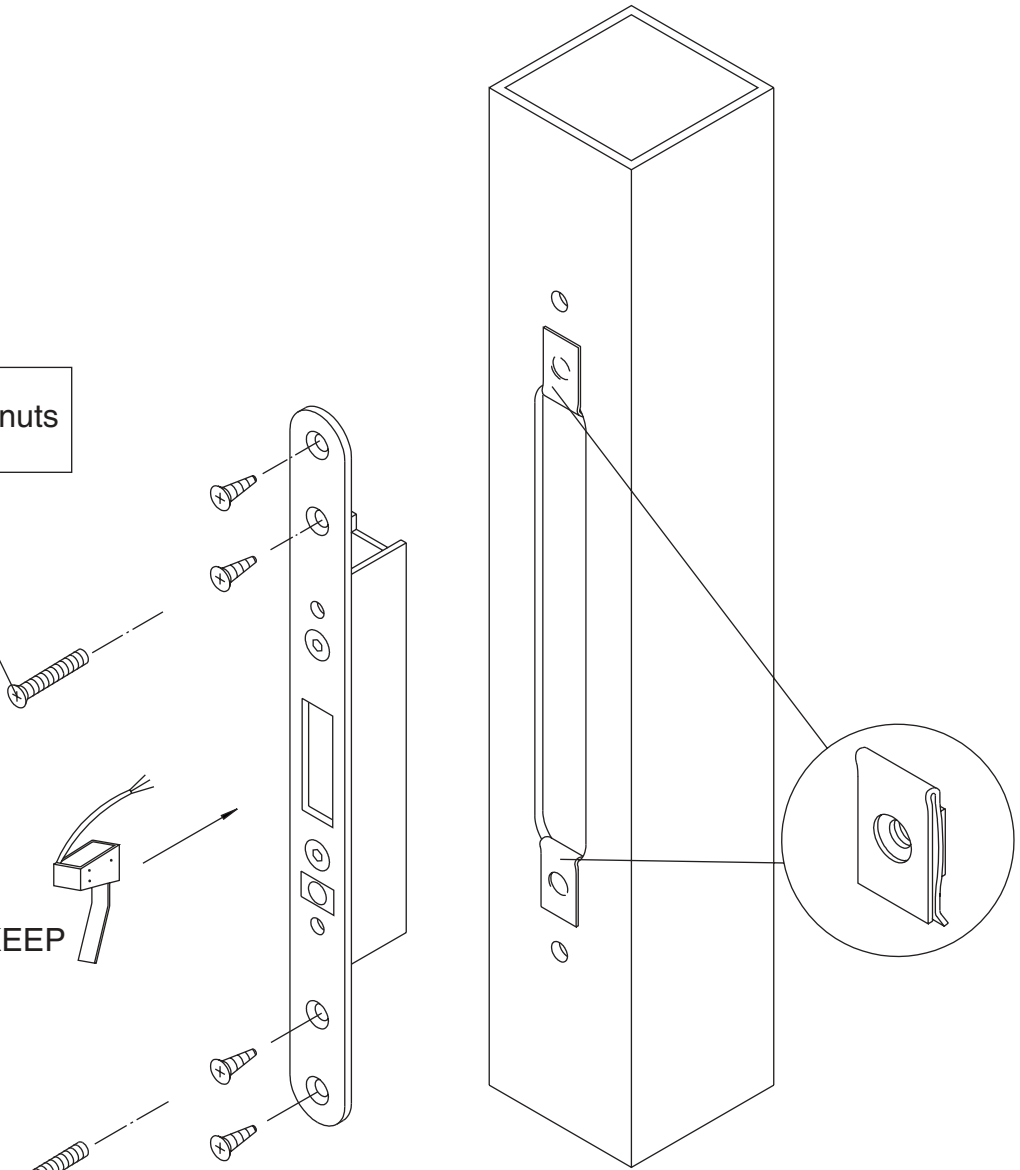


**INSTALLATION SCHEME
EA300 STRIKE PLATE**

When using cage nuts

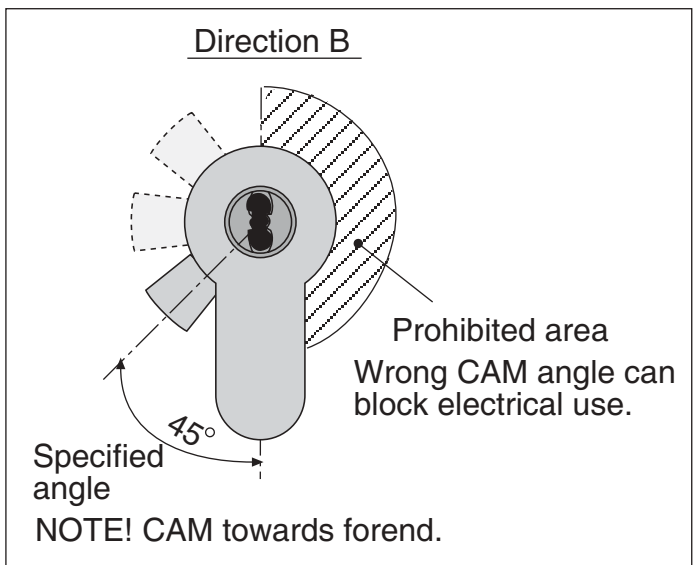
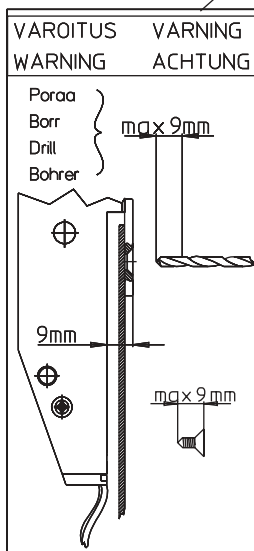
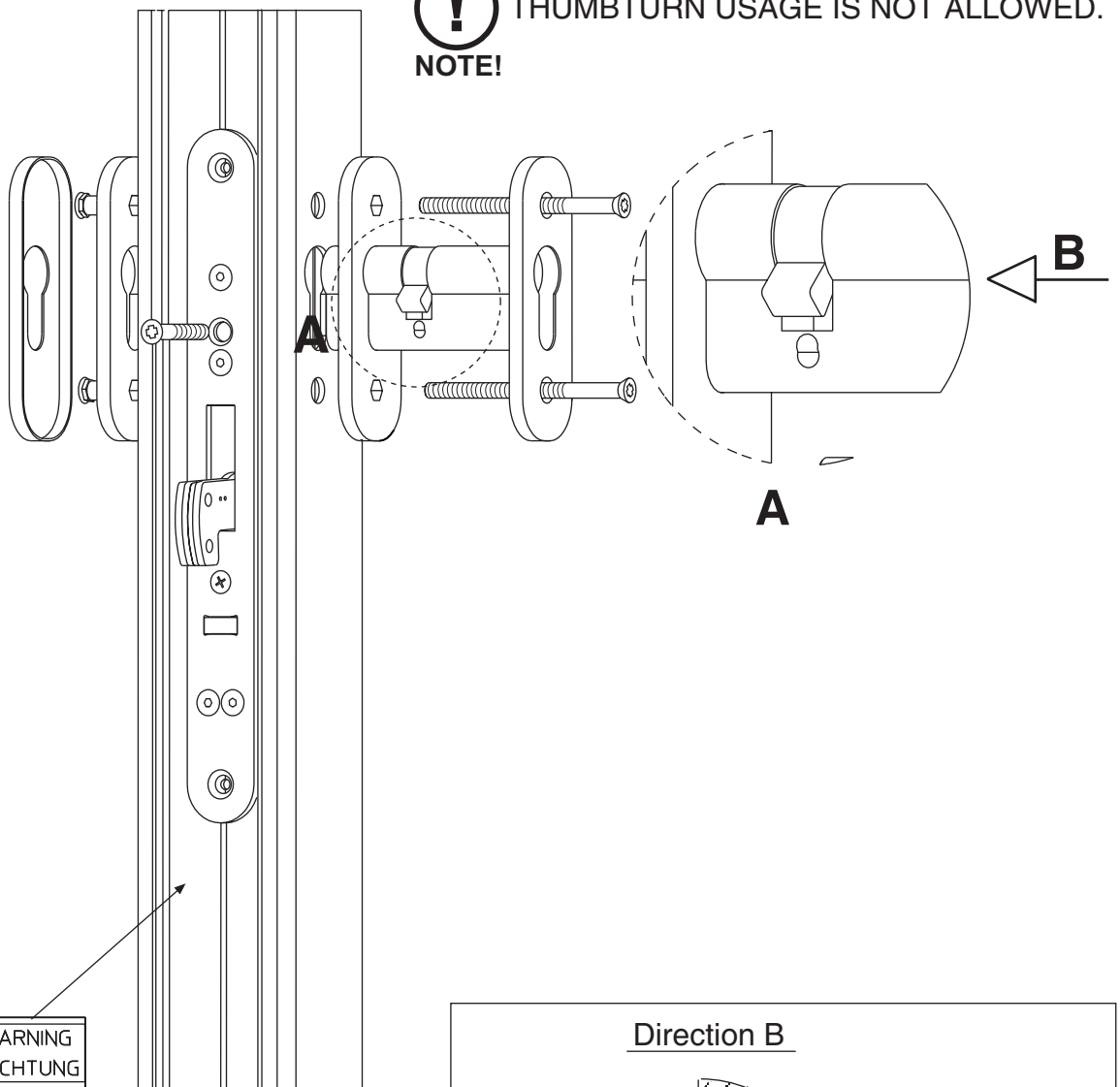
8410
MICRO SWITCH KEEP

When using cage nuts



INSTALLATION SCHEME EUROPROFILE CYLINDERS

NOTE! THUMBTURN USAGE IS NOT ALLOWED.

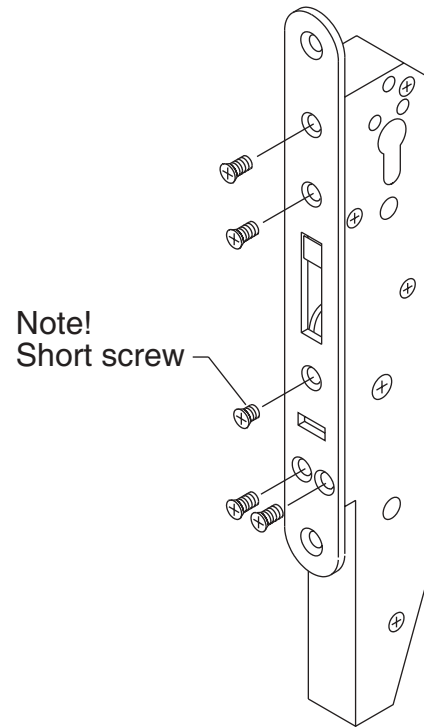


FOREND

Forends for wooden door and for special profiles:

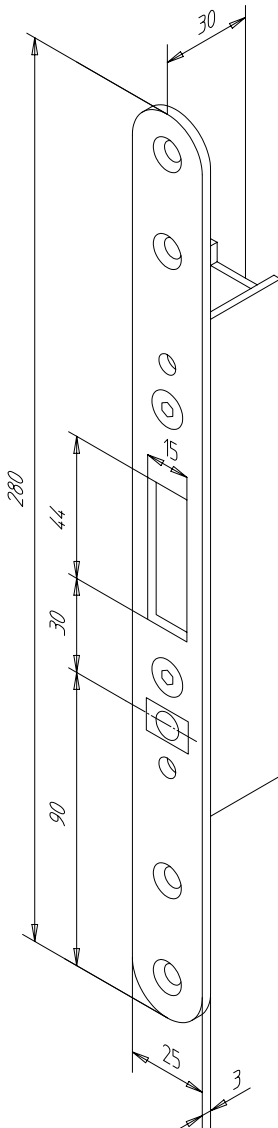
- 25 mm backset: 807432
- 35 mm backset: 807431

Please note the drilling diagram of wooden door.

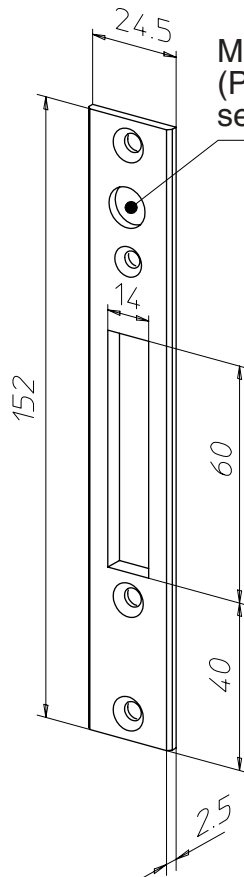


STRIKE PLATES

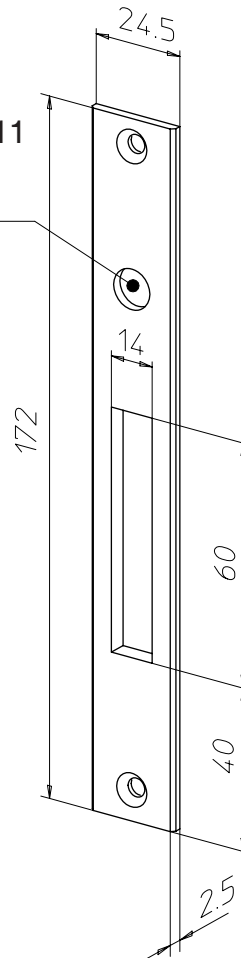
EA300



803677



804811



Magnet 803711
(Please order separately)



Some of the materials in this product, such as electronic components, require specialist recycling techniques.

STR/29.092/004/FH11

Nimike
952160
Päiväys
09/2004



www.abloy.com

Abloy Oy
Wahlforsinkatu 20
P.O. Box 108
FIN-808101 JOENSUU
FINLAND
Tel. +358 20 599 2501
Fax +358 20 599 2209

